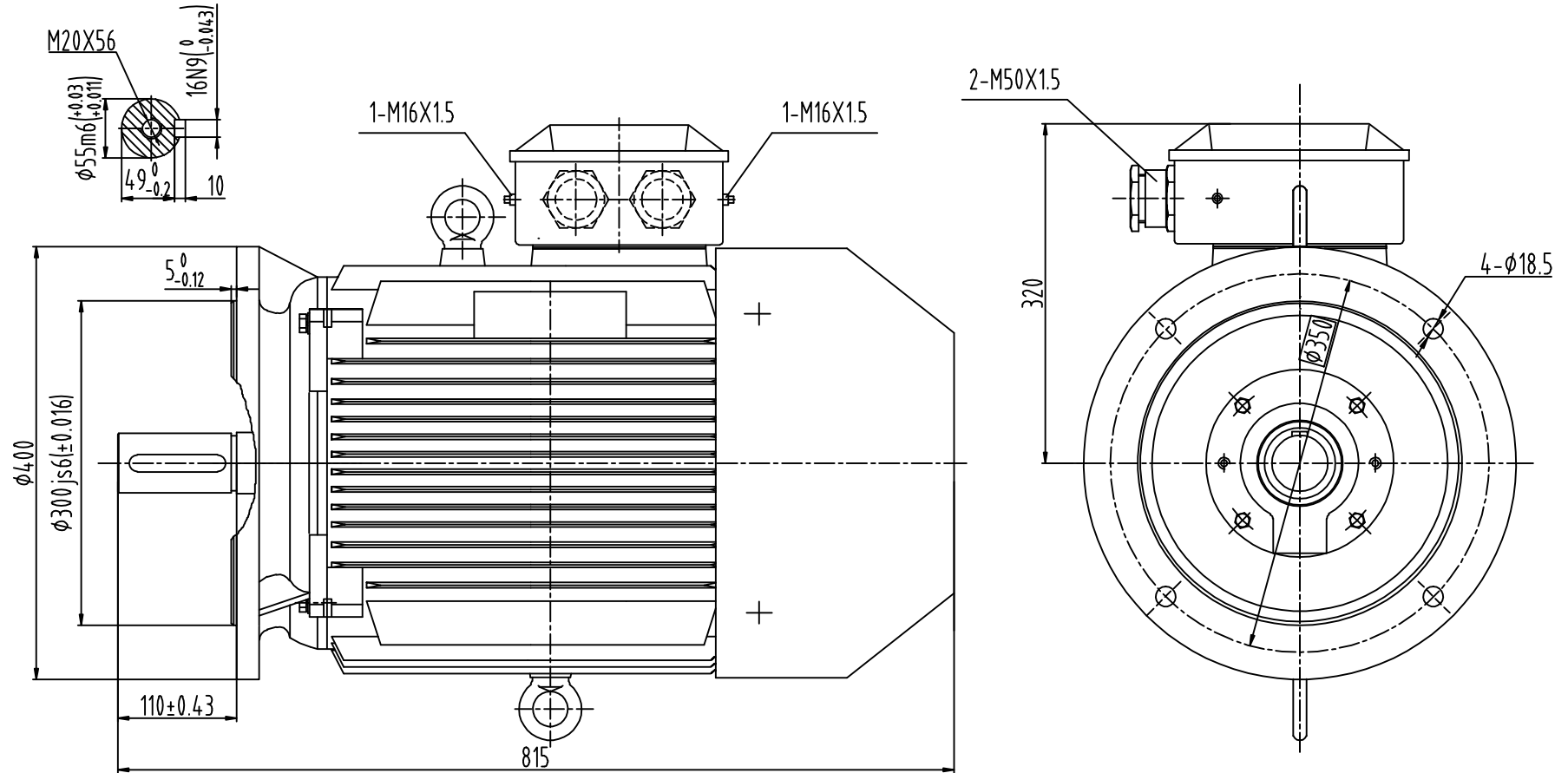


Art.Nr. 1C21191220Z227.1



TYPE	POWER	V	Hz	RPM	A	EFF%	COS ϕ	IM	CONN	IP	INS.CL	DE BEARING	NDE BEARING
YE3-200L-4	30KW	400/690	50	1475	53.8/31.2	93.6	0.86	V3	Δ/Y	66	F	6312-2Z/C3	6312-2Z/C3

Closed bearings :SKF 2Z C3 .No regreasing

Main plugs on the left side.

1xM16 show De-end

1xM16 show NDe-end

terminal box Nde-end

Stand 05-2019, geprüft Makarov

L=810 mm nach Umbau